

HRV / ERV INSTALLATION AND OPERATING INSTRUCTIONS

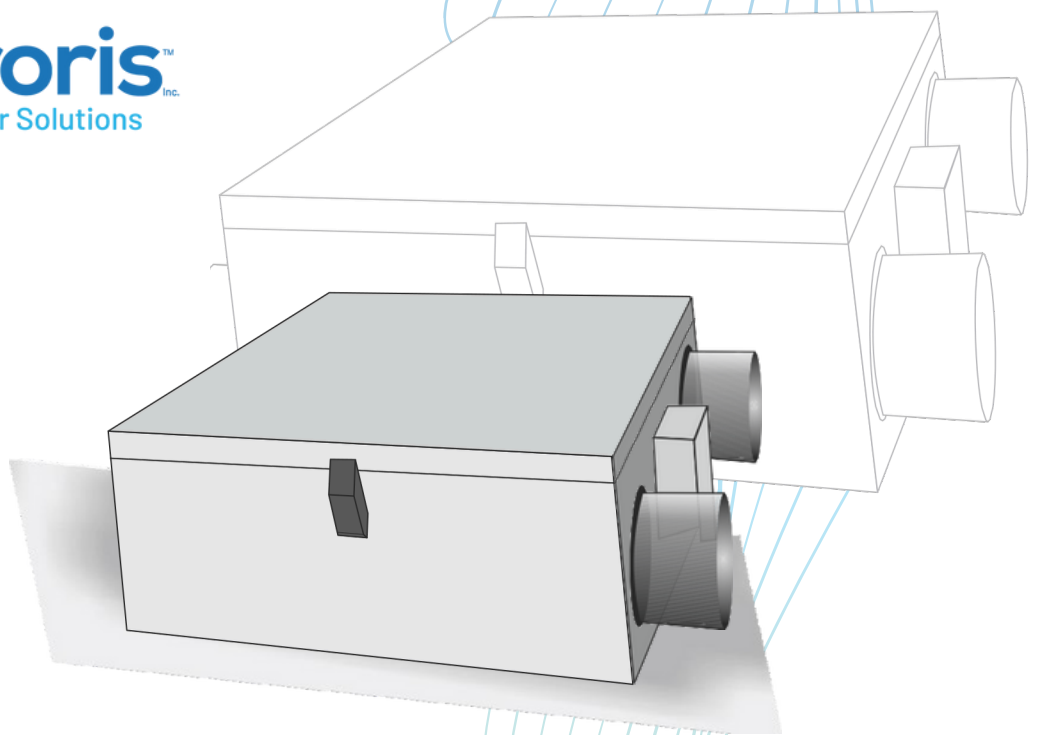


HSCX-130

Polypropylene Core

ESCX-130

Enthalpy Core



888.863.1562 | info@auroris.org | www.auroris.org

IMPORTANT SAFETY INSTRUCTIONS

READ AND SAVE THESE INSTRUCTIONS

⚠ WARNING ⚠

TO REDUCE THE RISK OF FIRE, ELECTRIC SHOCK OR INJURY, OBSERVE THE FOLLOWING:

1. Read all the instructions carefully before installation, operation or maintenance of the unit. Failure to comply with instructions could result in personal injury and/or property damage.
2. Installation of the unit and the corresponding electrical wiring must be done by a qualified person and be in accordance with all municipal and national electrical codes and pertinent industry standards should be verified before installation.
3. Use this unit only in the manner intended by the manufacturer. If you have any questions, contact the manufacturer.
4. Moving Parts, Disconnect Power supply before opening. ensure that all the nuts and screws are securely fastened before restarting the unit.
5. Before servicing or cleaning the unit, switch power off at service panel and lock the service disconnecting means to prevent power from being switched on accidentally. When the service disconnecting means cannot be locked, securely fasten a prominent warning device, such as a tag, to the service panel.
6. When cutting or drilling into wall or ceiling, make sure that you do not damage electrical wiring and other hidden utilities.
7. To reduce the risk of fire, use only metal ductwork. Do not use any accessories not recommended by the manufacturer.
8. When performing installation, servicing or cleaning these unit, it is suggested to wear safety glasses and gloves.
9. Do not use this unit for commercial purpose.
10. For residential use only. The unit must be grounded.
11. Do not install in a cooking area.
12. This unit is not designed to exhaust combustion and/or dilution air for fuel burning appliances.

⚠ CAUTION ⚠

1. Turn the unit OFF during construction or repair to avoid filter blockage.
2. Exhaust air outside - Do not intake / exhaust air into spaces within walls, crawl spaces, garage, or into attics.
3. Unit has to be installed in accordance to National and Local Building Code.
4. When leaving house for a long period of time (more than two weeks), a responsible person should check if unit operates adequately.
5. Published efficiencies are based on balanced air-flows on supply and exhaust.

PACKAGING INSPECTION

Open the box and check to make sure all the parts and accessories are present and in good condition. If you find any parts missing or any shipping damage please contact factory or our distributor immediately.

CONTENTS

Parts List

- HSCX-130 1
- ESCX-130

Wiring Diagram

- Control Board and Switches 2
- Furnace/Fan-Coil/ HeatPump Interlock 5
- Standard Furnace Interlock Wiring
- Alternate Furnace Interlock Wiring

HRV and ERV Typical Installations

- Fully Ducted System 6
- Furnace Return Air-duct connection
- Semi Ducted System 7
- Horizontal Vertical installation 8
- Single Vent & Access Door installation 8
- Drain Connection 8

Air Flow Balancing

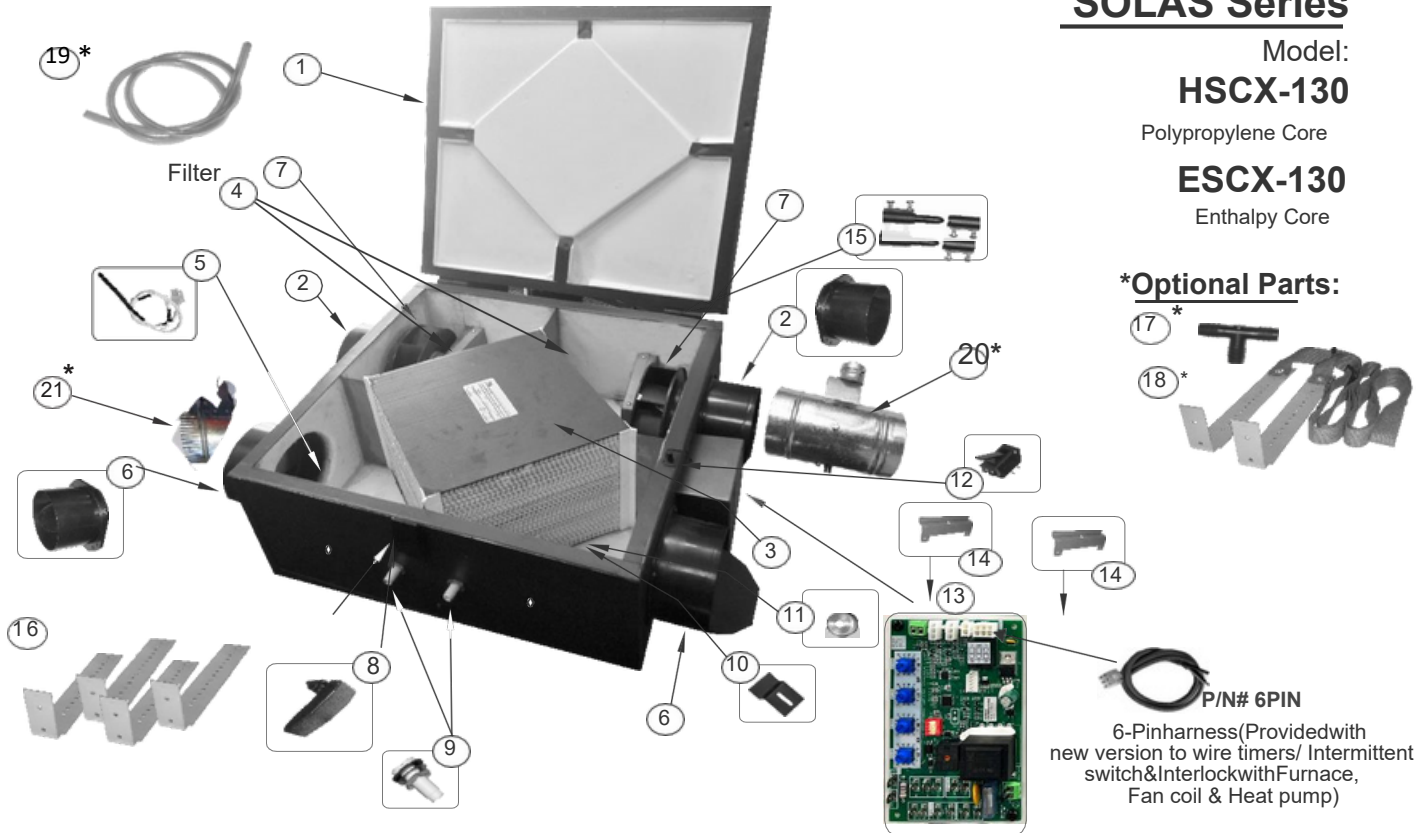
- Balancing Procedure 9
- Pitot tube Air flow Balancing 9

Maintenance

- Regular Maintenance 10
- Annual Maintenance 11

Troubleshooting 11

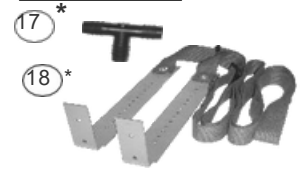
Climate Zone 12



SOLAS Series

Model:
HSCX-130
 Polypropylene Core
ESCX-130
 Enthalpy Core

*Optional Parts:



Reference	Description	Part no.	HSCX-130	ESCX-130
			QTY.	QTY.
1	HRV / ERV - lid, Pan Assembly	9315	1	1
2	Polypropylene collar 5" Dia.	014043C	2	2
3	Polypropylene core Enthalpy Core	9313	1	n/a
		9314	n/a	1
4	Filter 7" x 12" (MERV - 4)	9358	2	2
5	Temperature Sensor	9326	1	1
6	5" Polypropylene Backdraft Damper	014043	2	2
7	ECM Motors	013085	2	2
8	Adjustable Door Latch	9319	1	1
9	Drain Spout Assembly	9320	2	2
10	Core Locking Bracket	9321	1	1
11	Core Locking Nut	014016	1	1
12	Safety Switch	9322	1	1
13	Main control Board (Superior ECM)	9361-ECM(DIP) A	1	1
14	Main Control Board Bracket	9355	2	2
15	Door Hinges	9328	1Set	1Set
16	Mounting Brackets	011135	4	4
17*	"T" Connector	9330	1	1
18*	Webbing/Brackets/Ladder Locks	9332	2 Sets	2 Sets
19*	Drain Pipe	9331	1	1
20*	Motorized damper spring return 120V	9362	1	1
21*	Motorized Damper Spring return Built-in by Factory	9363	1	1

Optional Accessories (Not Supplied)

- a) Timer Switch (TC100) (old/new)
- b) Wall Switch
- c) Dehumidistat
- d) Time Delay Switch (TC100-120 & TC100-120P)
- e) Master On/Off Switch for HRV/ERV
- f) Light
- g) Intermittent Switch (old/new)

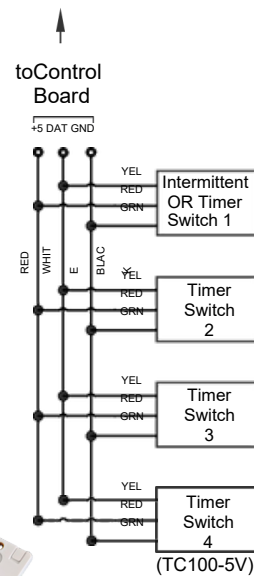
Note:

Up to 4 Timer Switches (TC100-5V) and one intermittent switch (IC 100-5V) can be connected to control board of HRV/ERV by using three 24 AWG (min.) standard Copper wires as shown. Maximum total wire length 75ft. (see option 2)

Option 2:



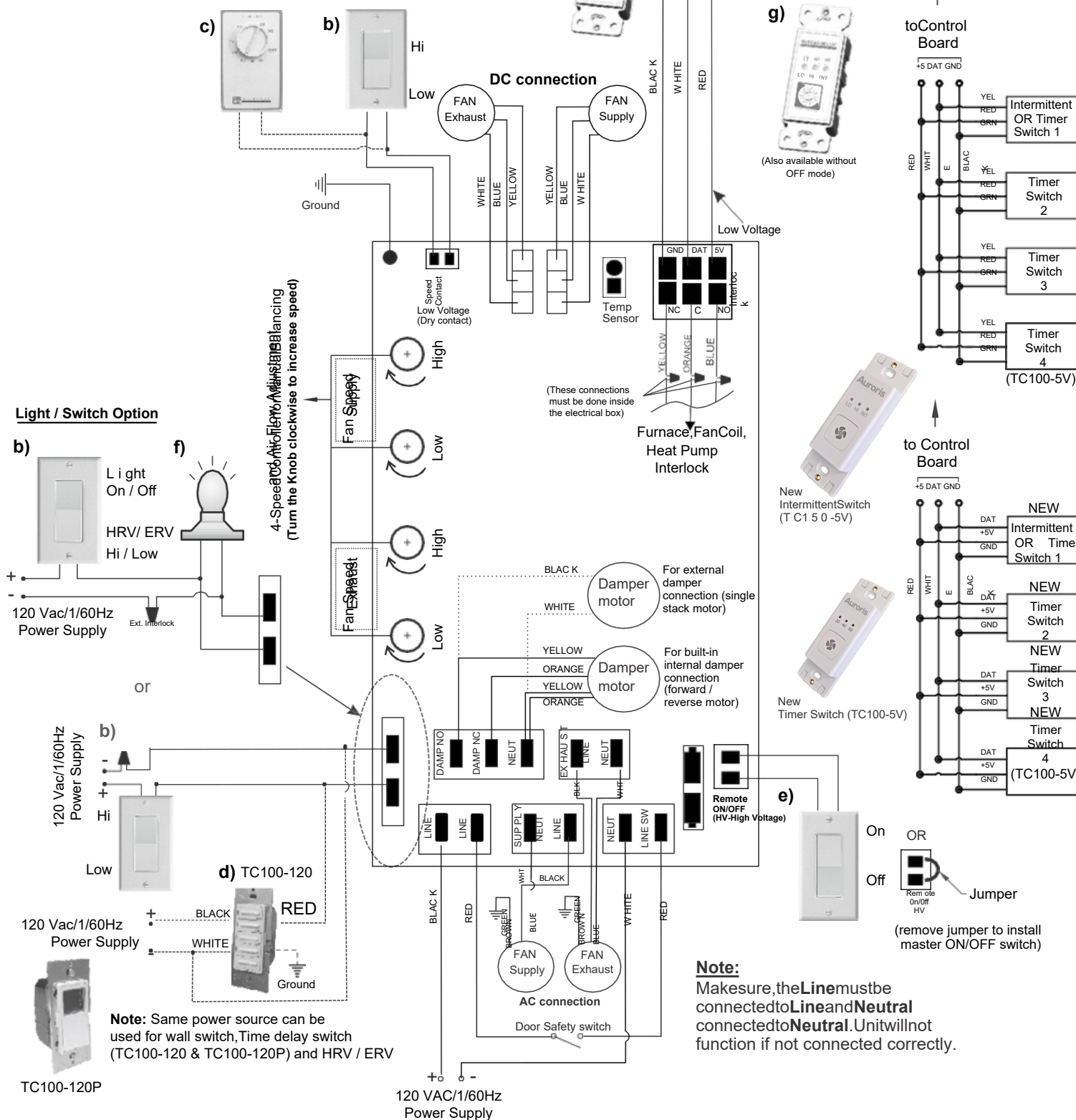
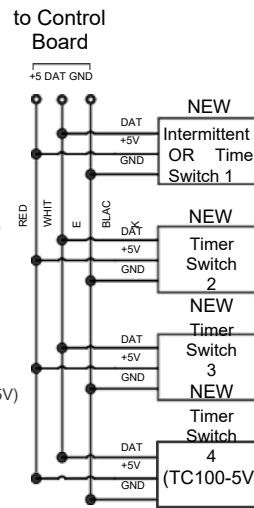
(Also available without OFF mode)



New Intermittent Switch (TC150-5V)



New Timer Switch (TC100-5V)



TC100-120P

120 VAC/1/60Hz Power Supply

Optional Accessories (Not Supplied)

- a) Timer Switch (TC100-5V) (old/new)
- b) Wall Switch
- c) Dehumidistat
- d) Time Delay Switch (TC100-120 & TC100-120P)
- e) Master On/Off Switch for HRV/ERV
- f) Light
- g) Intermittent Switch (old/new) (IC100-5V)

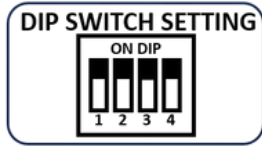
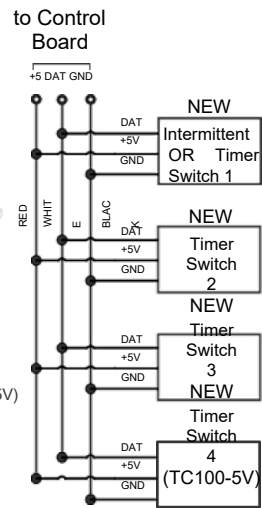
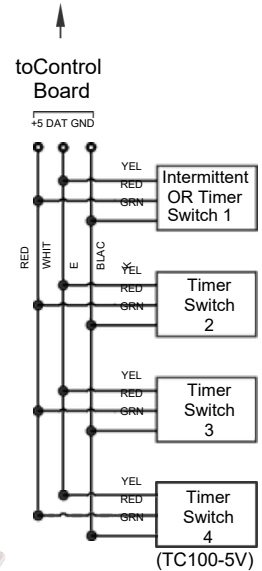
Note:

Upto 4 Timer Switches (TC100-5V) and one intermittent switch (IC100-5V) can be connected to control board of HRV/ERV by using three 24 AWG (min.) standard Copper wires as shown. Maximum total wire length 75ft. (see option 2)

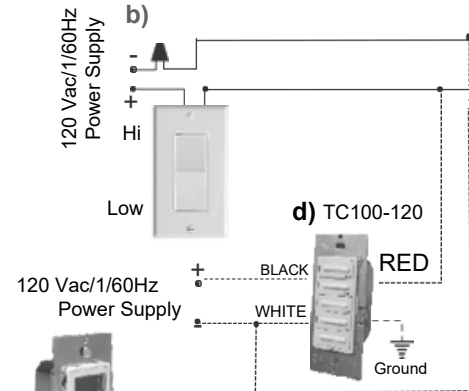
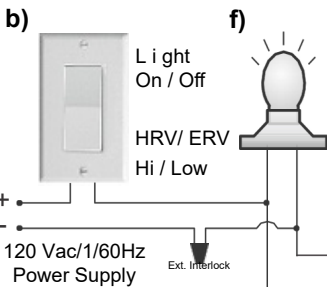
Option 2:



(Also available without OFF mode)



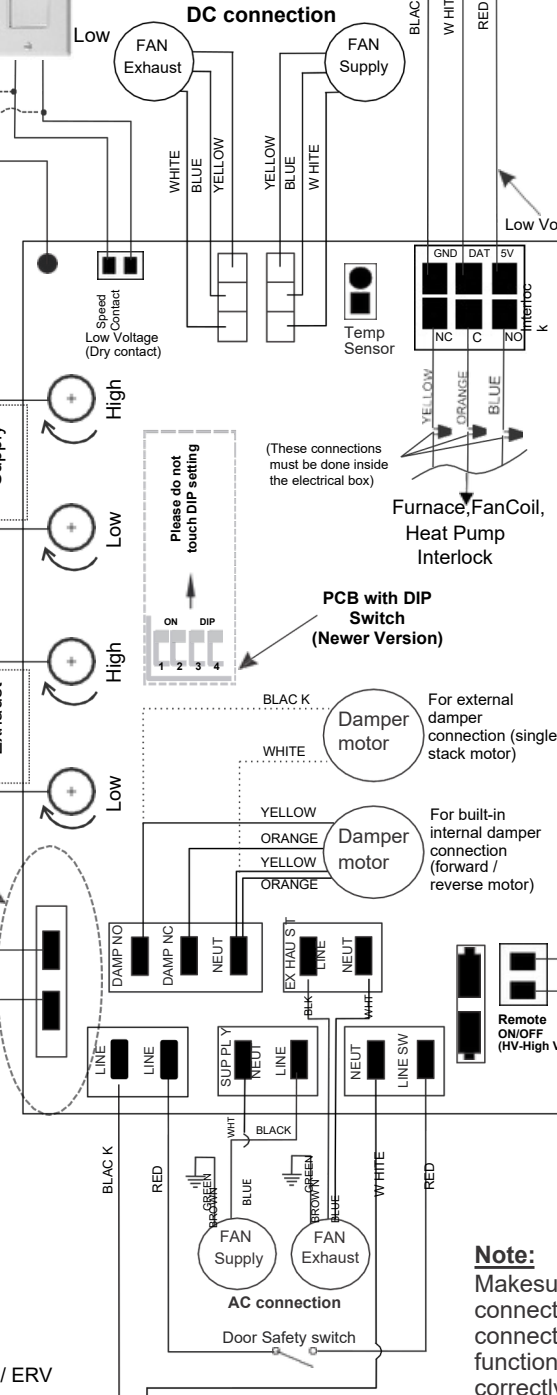
Light / Switch Option



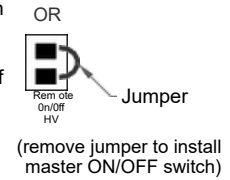
Note: Same power source can be used for wall switch, Time delay switch (TC100-120 & TC100-120P) and HRV / ERV

TC100-120P

4-Speed Fan Speed Control (Turn the knob clockwise to increase speed)



Note: Make sure the Line must be connected to Line and Neutral connected to Neutral. Unit will not function if not connected correctly.



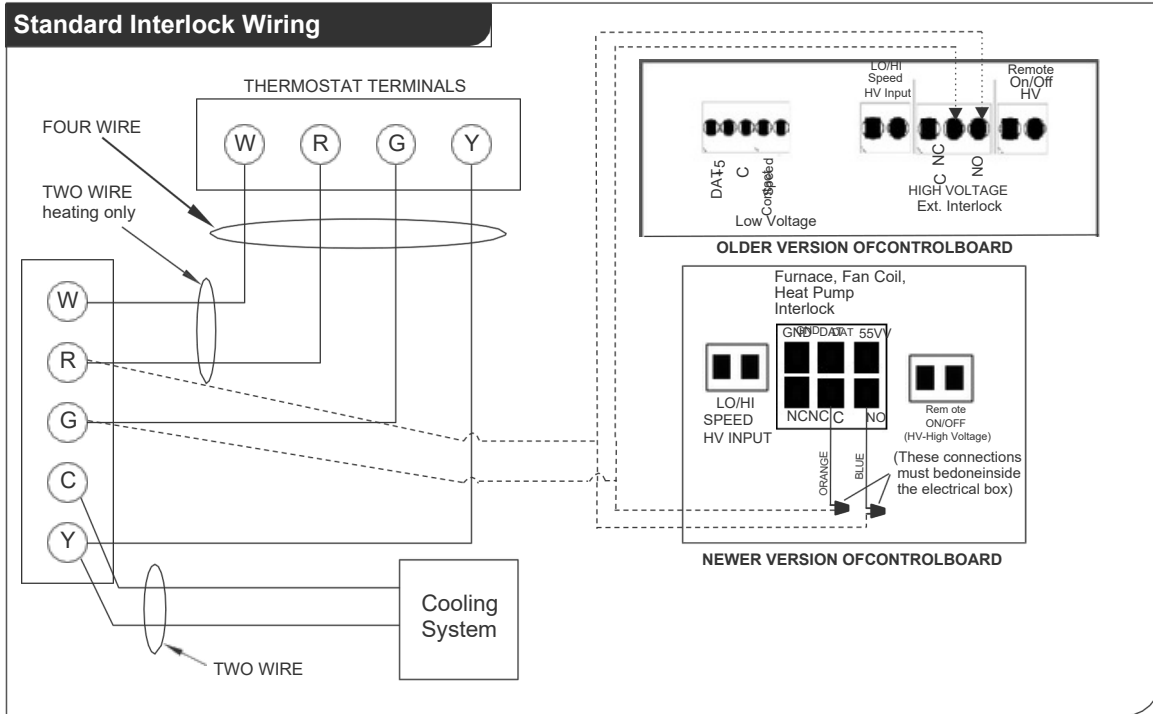
Furnace / Fan-Coil / Heat Pump Interlock:



WARNING

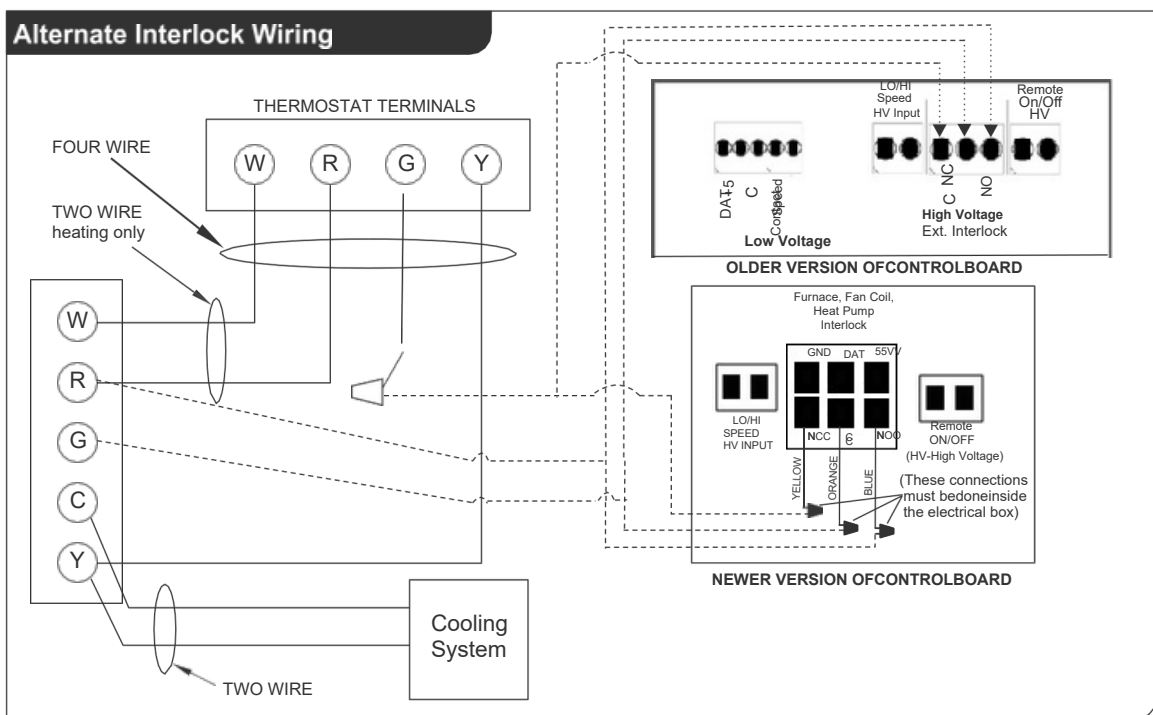


Never connect a 120volt AC circuit to the terminals of the furnace/fan-coil/heat pump interlock(Standard Wiring).



For a furnace connected to a cooling system:

On some older thermostats, energizing the R and G terminals at the furnace has the effect of energizing Y at the thermostat and thereby turning on the cooling system. If you identify this type of thermostat, you must use the "Alternate Interlock Wiring".



Typical Installations for House

Fully Ducted System

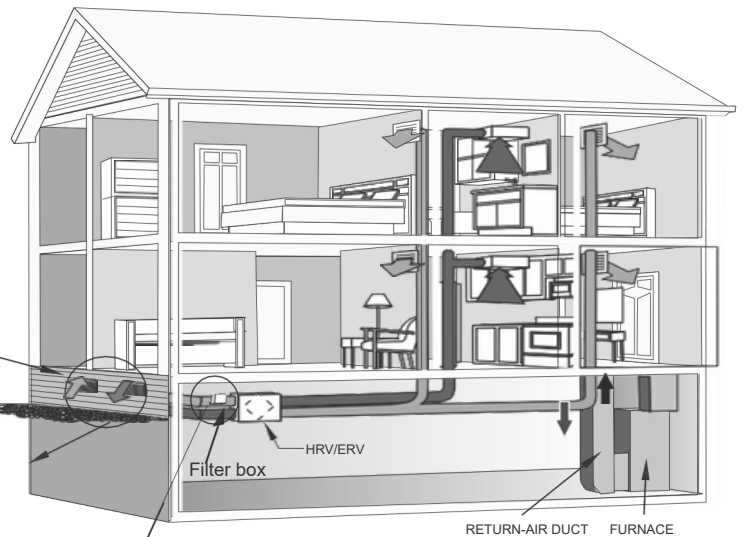
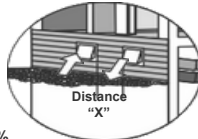
This is a stand alone HRV/ERV system which is not connected to a force air system. Stale air is drawn from key areas of the home (bathroom, kitchen) while fresh air is supplied to main living areas.



2 Single Vents SVE-50 and SVI-50 Shown. "Fresh Air/ Exhaust Air Vents Installation"

Wall Cap Exhaust/Intake WCE-5, WCI-5 shown

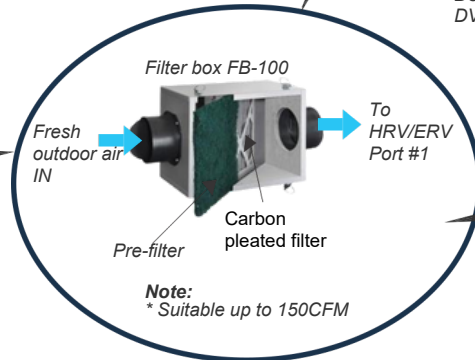
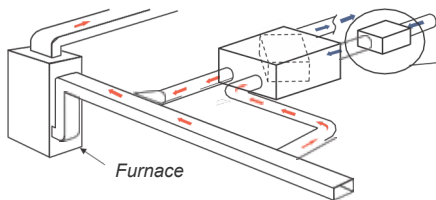
*Re - Circulation Efficiency If distance "X" is 5ft -99.7% "X" is 3ft -96.5%



Furnace Return Air-duct Connection

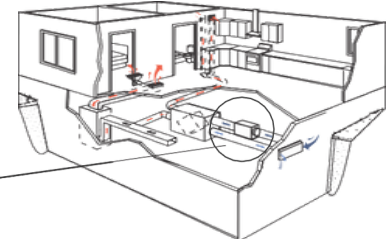
DVS100

Double Vent with hood shown "Fresh Air/Exhaust Air Vent installation"



Semi Ducted System

Double Vent with Extruded Aluminum Grille DVG200 shown "Fresh Air/Exhaust Air Vent installation"



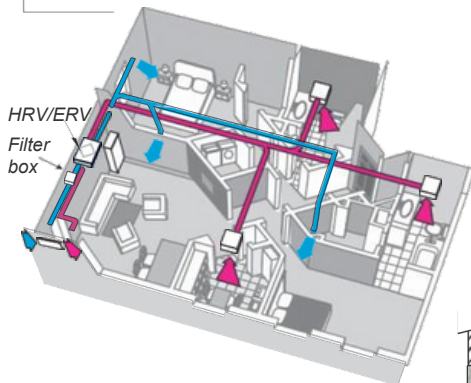
This installation enables stale air to be drawn from the poorest air quality areas of the home (washrooms & kitchen)

Note:

- It is recommended that the furnace blower run continuously or HRV/ERV operation be interlocked with the furnace blower to evenly distribute the fresh air throughout the house.
- A back draft damper is required in the exhaust air duct to prevent outdoor air from entering the unit when the Furnace / Air handler is running and the unit is in Stand by, OFF or in Recirculation.

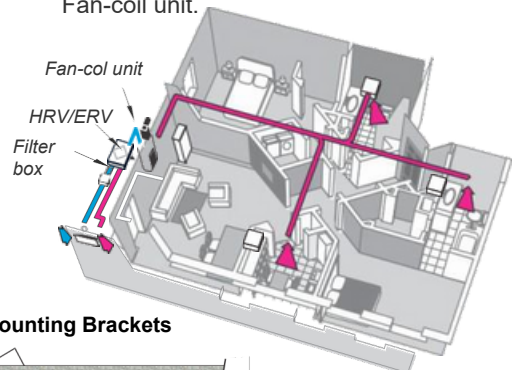
Installation Options for High-Rise Condominium

Fully Ducted System

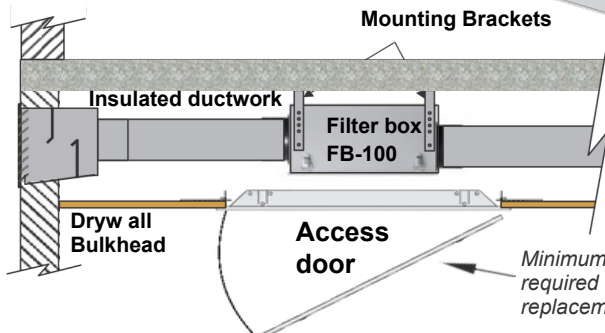
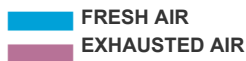


With Fan-Coil System

Fresh air from outside should be installed on Fan-coil supply side (HRV/ERV station #2) and HRV/ERV should be interlocked with Fan-coil unit.



Balancing Box (recommended air filter for auto balancing unit to prevent dust build-up on air flow sensors)



Note:

- All Exhaust Vents must be installed min. 5 ft away from sidewalls.

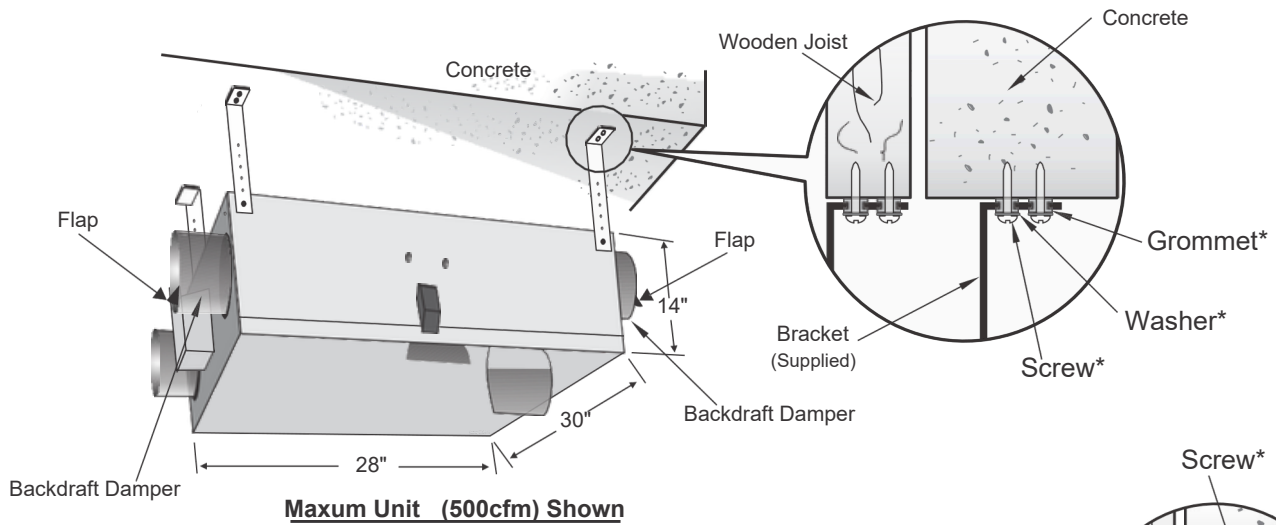
Minimum 24" x 12" access door required for filter cleaning & replacement

Note: All HRV / ERV must be balanced in the field.

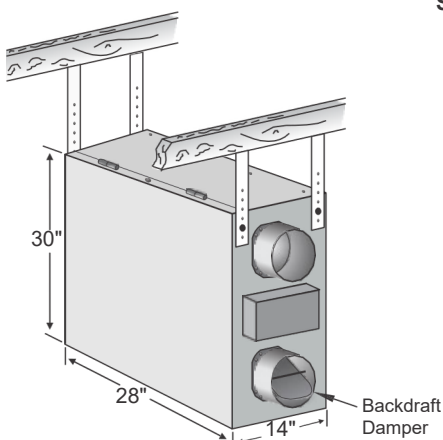
HORIZONTAL

Note:

- 30" clearance (300CFM) and 34" clearance (500cfm) is recommended for cleaning of the core/servicing the unit.
- Dampers are installed for horizontal installation. For vertical installation both dampers have to be turned so they can open properly and close when there is any backdraft.
- **Make sure no screw will interfere the function of the back draft damper flaps while installing the duct work to the HRV/ERV.**



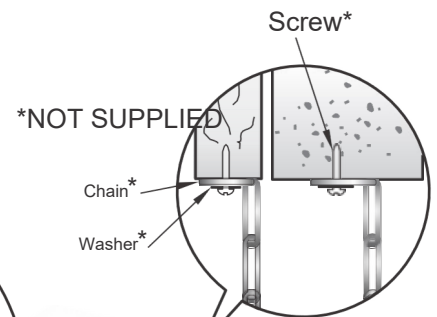
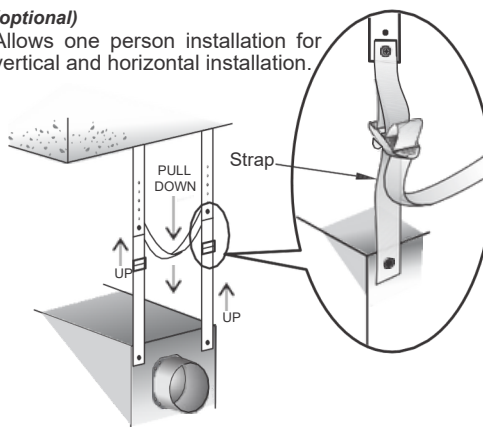
VERTICAL



Maxum Unit (500cfm) Shown

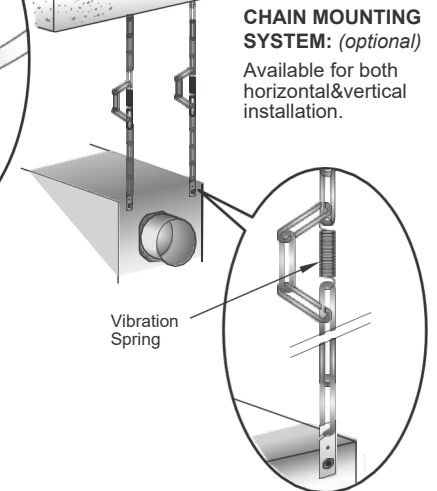
STRAPPING SYSTEM:

(optional)
Allows one person installation for vertical and horizontal installation.



CHAIN MOUNTING SYSTEM: *(optional)*

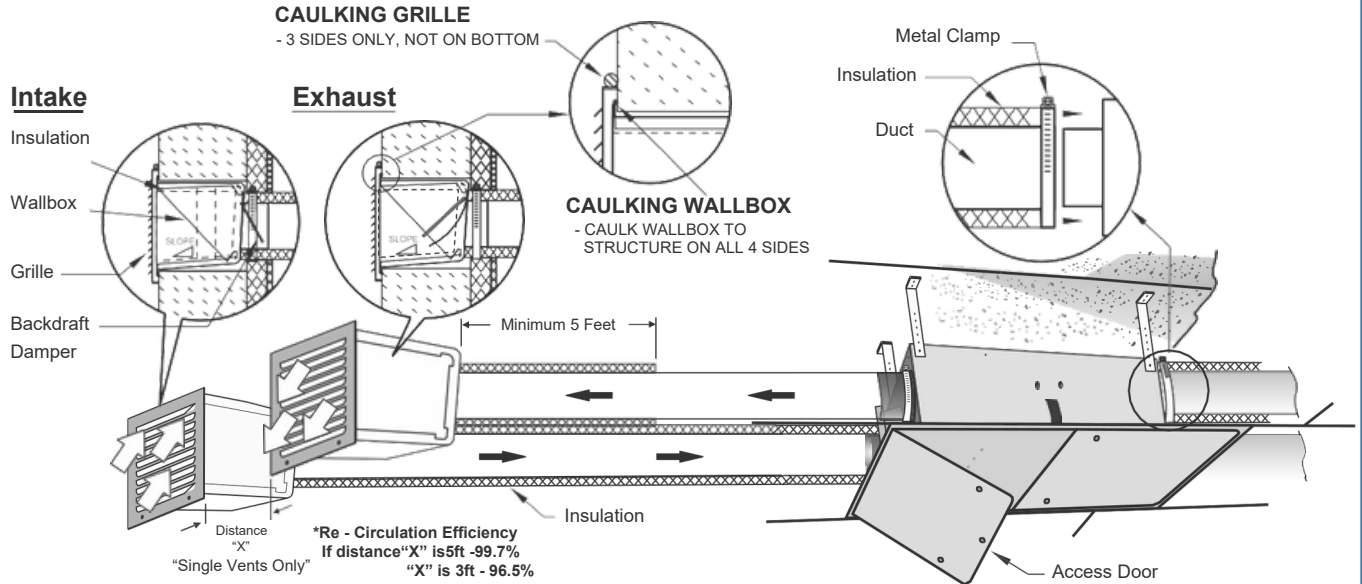
Available for both horizontal & vertical installation.



Note:

After installation make sure the HRV/ERV is properly leveled. If not levelled correctly, the defrost will not perform effectively and/or unit may frost in winter.

Typical Installations of Single Vents & Access door



Note:

- Fresh air intake and supply duct must be totally insulated. Exhaust duct must be 5feet insulated from the wall. In colder climate, it is recommended to insulate all exhaust and supply ducts.
- Check your building code for Insulation requirement

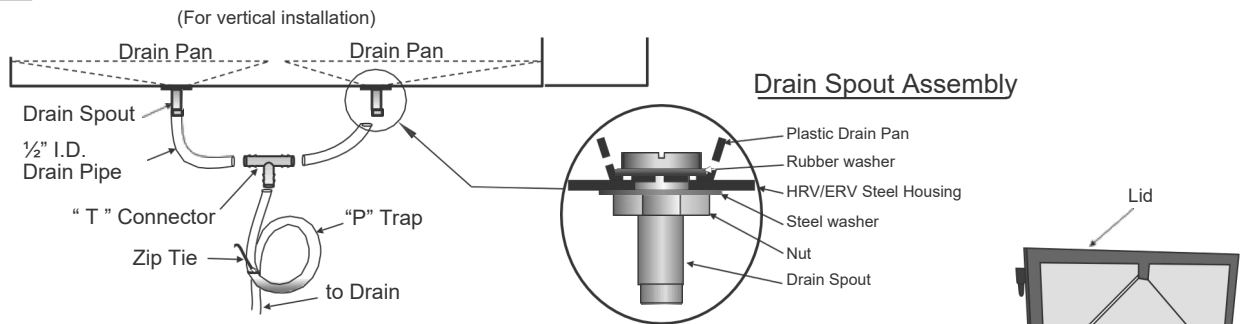
Use appropriate access door size and install on proper location for easy access to all HRV/ERV components for routine check and maintenance of the unit.
For more info visit : <https://auroris.org/accessories/>

Drain Connection

During defrost cycle the HRV unit may produce some condensation and the water should flow into a nearby drain. The HRV cabinet has pre-punched holes(two on side and one on the door) for the drain, in order to keep the drain pan intact, *hand tighten* the plastic drain spout to the unit using the gasket and nuts.

For Vertical installation

Cut two sections of 1/2" drain pipe and connect the other ends to the drain spout then connect to "T" connector. Connect a drain line and create a **P-trap** to prevent the unit from unpleasant odours from drain source. Tape or fasten base to avoid any bends.



Note:

- For Horizontal installation, connect only 1 drain spout assembly on lid / door. cut one 1/2" drain pipe and connect one end to the drain spout and the other end to the drain line. Don't forget to create a P-trap as shown above.
- HRV must be connected to drain.
- ERV does not required any drain. However, we recommend to connect ERV to drain in areas where extreme cold weather conditions are expected.

CAUTION

The HRV and all condensate lines must be installed in a space where the temperature is maintained above the freezing point or freeze protection must be provided.

Balancing Procedure

It is required to have balanced airflows in an HRV/ERV. The volume of air brought in from the outside must equal the volume of air exhausted by the unit while running at normal speed. If their flows are not properly balanced, then:

- The HRV/ERV may not function at its maximum efficiency
- A negative or positive air pressure may occur in the house or condo
- The unit may not defrost properly

Prior to balancing, ensure that:

- 1 All the HRV/ERV's components are in place and functioning properly.
 - All sealing of the ductwork system has been completed.
- 2 Set the unit to normal speed.
 - Air flows in branch to specific areas of the house should be adjusted first prior to balancing the unit.
- 3 After taking reading of both the stale air to the HRV/ERV duct and fresh air to the house duct, the duct with the lower CFM reading should be left alone while the duct with the higher airflow should be slowed down to match the lower
- 4 reading by adjusting dial/speed controller on control board (see board layout on page-6).
- 5 Return unit to appropriate fan speed for normal operation.

Pitot Tube Airflow Balancing

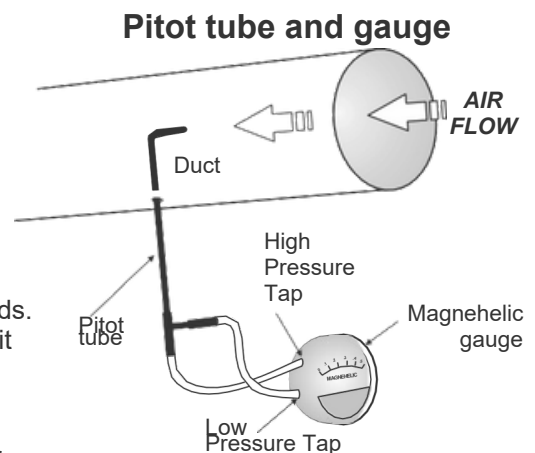
The following is a method of field balancing an HRV/ERV using a Pitot tube advantageous in situations when flow stations are not installed in the ductwork. Procedure should be performed with the HRV/ERV on normal speed.

The first step is to operate all mechanical systems on most desired speed, which have an influence on the ventilation system, i.e. the forced air furnace or air handler if applicable. This will provide the maximum pressure that the HRV/ERV will need to overcome, and allow for a more accurate balancing of the unit.

Drill a small hole in the duct (about 3/16"), three feet downstream of any elbows or bends, and one foot upstream of any elbows or bends. These are recommended distances but the actual installation may limit the amount of straight duct.

The Pitot tube should be connected to a magnehelic gauge capable of reading from 0 to 0.25 in. (0-62 Pa) or other digital airflow meter. The tube coming out of the top of the pitot is connected to the high pressure side of the gauge/meter and the tube coming out of the side of the pitot is connected to the low pressure or reference side of the gauge/meter.

Insert the pitot tube into the duct; pointing the tip into the air flow. For general balancing it is sufficient to move the pitot tube around in the duct and take an average or typical reading. Repeat this procedure in the other duct. Determine which duct has the highest airflow (highest reading on the gauge). Then slow down that motor speed by adjusting dial/speed controller on control board to match the lower reading from the other duct. The flows should now be balanced. Actual air flow can be determined from the gauge/meter reading. The value read on the gauge is called the velocity pressure and on the flow meter is called air velocity (FPM). The Pitot tube comes with a chart that will give the airflow velocity based on the velocity pressure indicated by the gauge. This velocity will be in either feet per minute or metres per second. To determine the actual airflow, the velocity is multiplied by the cross sectional area of the duct being measured.



NOTE:
Place the magnehelic gauge on a level surface and adjust it to zero.

Note:(Option #2)- Only for "superior" series

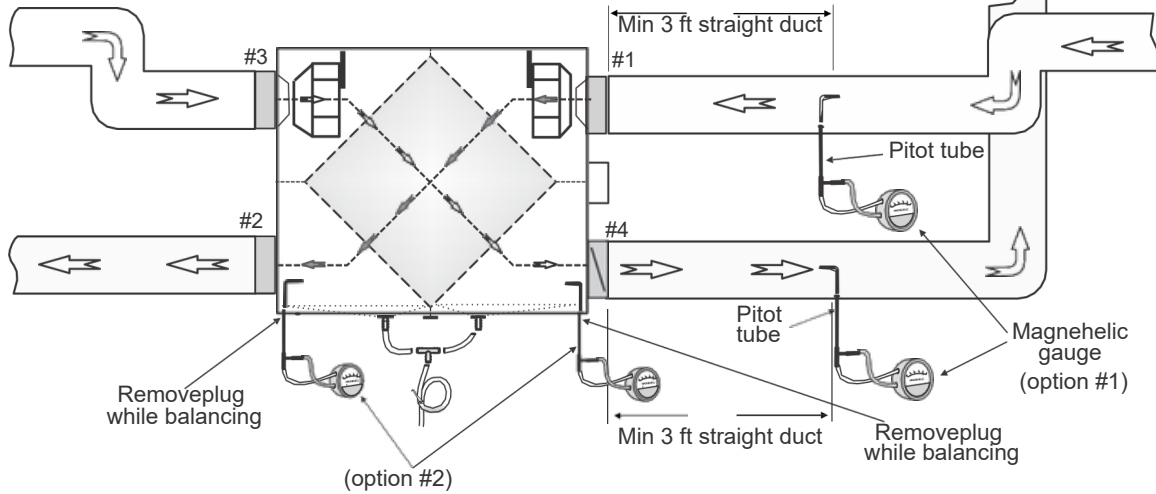
- *For balancing, extension box cover plate is provided with 3 holes on supply side and 3 holes on exhaust side.
- *Do not use pitot tube to open holes in the insulation as it may block/damage the pitot tube.
- *Take 3 readings on each hole and average all 9 readings for supply and same for exhaust.
- *After finish balancing, plug all six holes with plastic plugs provided with the unit.

DUCTDIAM. CROSSSECTIONAREA

6	0.196 sq. ft.
"	0.267 sq. ft.
7	"

ΔP"		CFM
Ø6	Ø7	
0.004	0.002	50
0.006	0.003	60
0.008	0.004	70
0.010	0.006	80
0.013	0.007	90
0.016	0.009	100
0.020	0.011	110
0.023	0.013	120
0.027	0.015	130

ΔP" = Velocity Pressure in inch



Note: To take more accurate readings, use option #1 (if possible).
Project and Project Condo Units use Option #1

CFM = Opening / Cross-sectional Area (sq. ft.) x velocity (FPM)

The accuracy of the flow reading will be affected by how close to any elbows or bends the readings are taken. Accuracy can be increased by taking an average of multiple readings as outlined in the literature with the Pitot tube.

Regular Maintenance

1. Turn the unit off and disconnect the power supply. 2. Unlatch the door and lift the door panel towards you, hold it firmly and slide it to the left.
3. Clean the inside of the *door* and *drain pan* with a damp cloth to remove dirt and debris that may be present.
4. Clean the *filters* (twice a year)
 - Remove the filters.
 - Vacuum to remove most of the dust.
 - Wash with a mixture of warm water and mild soap. Rinse thoroughly and shake filters to remove water and let dry.
5. Check the exterior fresh air supply hood:
 - Make sure there are no leaves, twigs, grass, ice or snow that could be drawn into the vent.
 - Partial blocking of this air vent could cause the unit to malfunction.**
6. Reassemble the components, Filters and Door (The door is secured when you hear a click.)
7. Reconnect the power and turn on the unit.

Annual Maintenance

Repeat steps 1 to 5 from the previous section and continue with the following steps:

1. Clean the HRV and ERV core:

- Remove filters
- Loosen the core locking bracket
- Remove the core, carefully grip ends of core and pull evenly outward
- **HRV Core** > remove dust using vacuum cleaner or rinse with cold water
 - > Soak and rinse the HRV core in warm soapy water
- **ERV Core** > remove dust using vacuum cleaner

⚠ ATTENTION ⚠

Do not use cleaning solution for the HRV/ERV core
 Do not use pressure washer on the HRV/ERV core
 Do not place the HRV/ERV core in dishwasher
 Do not use bleach or chlorine

2. Motors - Maintenance Free, permanently lubricated

3. Drain Tube and Drain Pipe - Inspect drain tube, drain pipe and "P" trap for blockage, mold or kinks. Flush with warm soapy water and replace if worn, bent or unable to clean.

4. Clean Duct Work if Required - Wipe and vacuum the duct once every year. The duct work running to and from HRV/ERV may accumulate dirt. You may wish to contact a heating/ventilation company to do this.

5. Cleaning the Fans -

HRV/ERV. A reduction in the airflow may also occur. In new construction this may result within the first year due to heavy dust and may occur periodically after that over time depending on the outdoor conditions.

- unplug the HRV/ERV
- open the service door
- remove the core
- disconnect the fan motor wires
- remove the screws securing fan assembly
- pull the fan assembly out of unit
- check for any accumulation on the blades
- clean with a small brush if necessary:
 - scrub individual fan blades until clean
 - vacuum and wipe
- put the components back in place
- reconnect the power supply and turn the unit back on.

⚠ WARNING ⚠

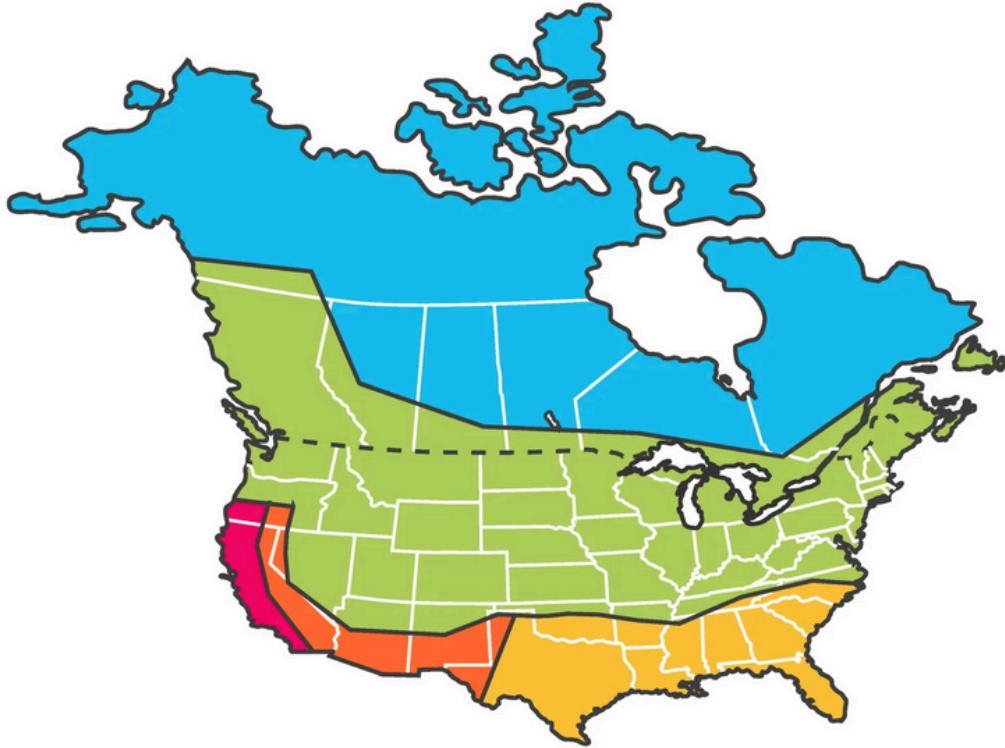
Electrical shock hazard. Can cause injury or death. Before attempting to perform any service or maintenance, always disconnect the unit from its power source.

Note: Warranty will be void if regular/annual Maintenance is not performed as recommended and instructed above.

PROBLEMS	POSSIBLE CAUSES	SOLUTIONS
1. Airflow is low	<ul style="list-style-type: none"> - HRV/ERV airflow improperly balanced - filter clogged - core obstructed - exterior fresh air supply blocked - damper is closed (if supplied) - ductwork is restricting - power supply low (Low Voltage) 	<ul style="list-style-type: none"> - have professional balancer or contractor balance the unit - remove and clean filter - remove and clean core - remove and clean the blockage - check damper - inspect duct installation - switch off the unit immediately and call the electrician to check the voltage
2. Senses cold air from Supply	<ul style="list-style-type: none"> - Exhaust hood outside the house is blocked - HRV/ERV airflow improperly balanced - outdoor temperature is extremely cold 	<ul style="list-style-type: none"> - remove the blockage and clean the hood - have contractor balance the unit - placement of furniture or closed doors is restricting the movement of air in the home - install a duct heater
3. Water in the bottom of HRV	<ul style="list-style-type: none"> - drain pans, drain tube, drain pipe and "P" trap are clogged 	<ul style="list-style-type: none"> - check for blockage and for kinks in line - check connections - make sure water drains properly
4. Timer switch 20/40/60 minute / intermittent Switch light doesn't stay on	<ul style="list-style-type: none"> - loose connection - the switch may be defective - turn off the HRV/ERV breaker 	<ul style="list-style-type: none"> - check connection - replace the timer switch - reset the main controller
5. Unit is not defrosting properly	<ul style="list-style-type: none"> - fresh air duct maybe frozen - HRV/ERV airflow improperly balanced - Temp. sensor maybe defective 	<ul style="list-style-type: none"> - check and remove the ice - have professional balancer or contractor balance the unit - replace the Temp. sensor
6. All 3 LEDs of timer switch blink	<ul style="list-style-type: none"> - Control board reports error - lost communication with main control board 	<ul style="list-style-type: none"> - refer to problem 4. - check all wire connections on timer switch and main control board
7. LED's on the Main Control board and the remote wall mount Timer Switch will flash 0.5 second On then 2 seconds Off then repeat the cycle	<ul style="list-style-type: none"> - Exhaust fan open circuit: <ul style="list-style-type: none"> a) motor burned b) fan overheated 	<ul style="list-style-type: none"> - replace motor - call technician (if possible replace fan)
8. LED's on the Main Control board and the remote wall mount Timer Switch will flash 0.5 sec On/0.5 sec Off/0.5 sec On then 2 sec Off, then repeat the cycle	<ul style="list-style-type: none"> - damper obstructed - exhaust fan jam / over-current 	<ul style="list-style-type: none"> - check back draft damper, no screw must interfere the function of the damper - replace the fan
9. LED's on the Main Control board and the remote wall mount Timer Switch will flash 0.5 sec On/0.5 sec Off/0.5 sec On/0.5 sec Off/0.5 sec On, then 2 seconds Off, then repeat the cycle	<ul style="list-style-type: none"> - Supply fan open circuit: <ul style="list-style-type: none"> a) motor burned b) fan overheated 	<ul style="list-style-type: none"> - replace motor - call technician (if possible replace fan)
10. LED's on the Main Control board and the remote wall mount Timer Switch will flash 0.5 sec On/0.5 sec Off/0.5 sec On/0.5 sec Off/0.5 sec On/0.5 sec Off/0.5 sec On then 2 seconds Off, then repeat the cycle	<ul style="list-style-type: none"> - damper obstructed - Supply Fan jam / over-current 	<ul style="list-style-type: none"> - check back-draft damper, no screw must interfere the function of the damper - replace the fan
11. LED's on the Main Control board and the remote wall mount Timer Switch will flash: 0.5 sec On/0.5 sec Off/ 0.5 sec On/0.5 sec Off/ 0.5 sec On/0.5 sec Off/ 0.5 sec On/0.5 sec Off/ 0.5 sec On/0.5 sec Off/ 0.5 sec On, then 2 seconds Off, then repeat the cycle	<ul style="list-style-type: none"> - temperature sensor failure (both motors shuts off) 	<ul style="list-style-type: none"> - replace temperature sensor

Note :- Lightning, high power surge or high frequency radio signals could cause HRV/ERV goes into safe mode (unit completely shut down). The timer switches blink either two or four times in a row every 0.5 seconds. If this happens, turn "off" the main power of the HRV/ERV and restart the unit. If still unit does not come on, please call service technician.

Select HRV/ERV for your Climate Zone



HRV		HRV, ERV (optional)	
	Severe Conditions		Pacific Conditions
	Moderate Conditions	ERV	
	Dry Climate		High Humidity

U.S. Department of Energy climate zones map

HRVs are recommended for colder climates.

ERVs are designed for warm-humid climates with long cooling seasons.



888.863.1562 | info@auroris.org | www.auroris.org